

BLANKWORKS

BLANK PREDICTION SOFTWARE

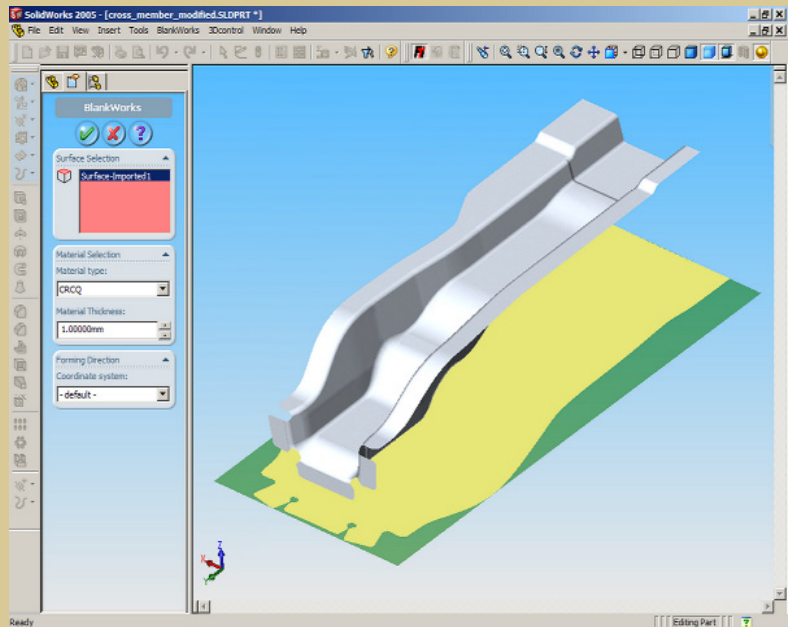
Consistently reduces material cost and number of trials in the blank die tryout stage

Accurately identifies material thinning and gathering conditions

Ideal for cost estimating

Automatically generates a report for accurate quoting and estimating

Extremely user-friendly



Powerful Blank Shape Development

BLANKWORKS ACCURATELY CALCULATES COMPLEX BLANK SHAPES IN MINUTES

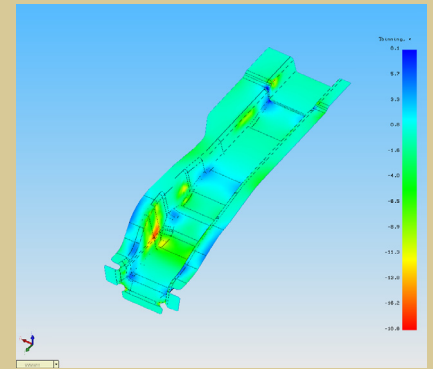


BLANKWORKS

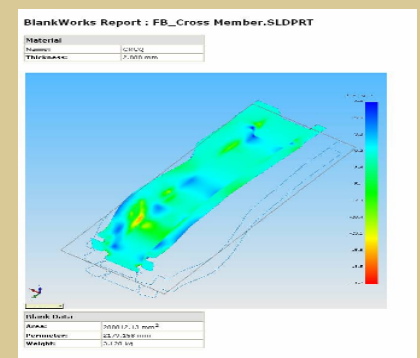
BLANKWORKS provides SolidWorks users with a fully integrated method for developing optimal blank shapes. **BLANKWORKS** accounts for material stretch and deformation as well as bending. It is specifically designed for estimators, engineers, account managers and tool and die designers.

FEATURES

- Fast and accurate blank shape generation
- Graphical display of material thinning and gathering, addresses initial product and process feasibility
- Customizable materials database provides flexibility required to analyze virtually any component
- HTML-based report generation summarizes the process and provides valuable engineering data for quoting and estimating
- Extremely simple user interface fully integrated into SolidWorks



Display of material thinning



HTML report provides a summary of results

ABOUT FORMING TECHNOLOGIES Forming Technologies Incorporated (FTI) is the world's leading developer of computer aided engineering software for design and simulation of sheet metal forming. FTI has developed a suite of products to analyze product formability, die design, and process feasibility. For the past 16 years, FTI has provided the automotive OEM, Tier 1, Tier 2, Tier 3, aerospace, and appliance industries with innovative software and training solutions designed to reduce development time and material costs. These solutions have resulted in millions of dollars of savings for our customers. FTI and its global network of partners provide sales and technical support to customers in more than 30 countries.



6-1075 North Service Road West,
Oakville, ON Canada L6M 2G2
Tel: 905-827-2997 Ext. 215
Fax: 905-827-3166

Please visit our website
at www.forming.com for
a FREE TRIAL COPY of

BLANKWORKS